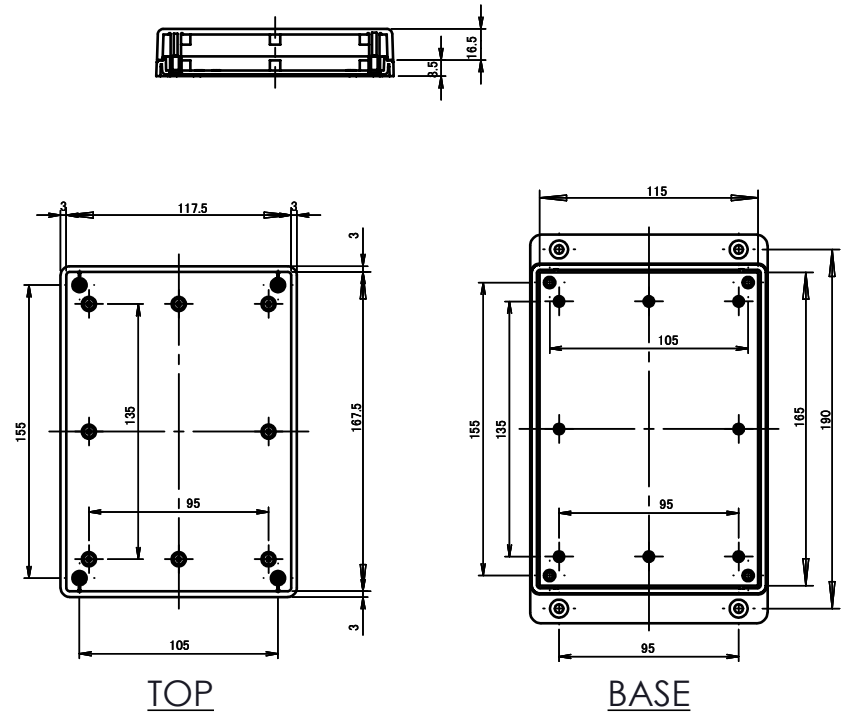
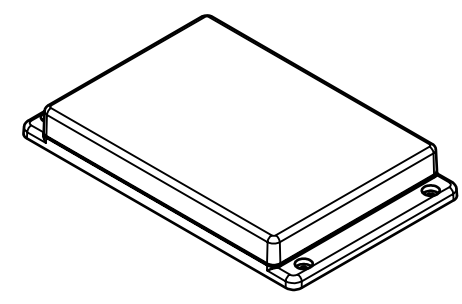


ISO VIEW
1:4



| | | | | | | | |
|---|----|--|-------------|---|------------|-------------|--------------|
| <p>CAMDENBOSS ELECTRONICS & ENCLOSURES</p> <p>JAMES CARTER RD, MILDENHALL, SUFFOLK. IP28 7DE TEL: 01638 716101 FAX: 01638 716554 EMAIL: Sales@CamdenBoss.com WEB: www.CamdenBoss.com</p> | | UNLESS OTHERWISE SPECIFIED: DIMENSIONS ARE IN MILLIMETERS | | DO NOT SCALE DRAWING | | REVISION. ○ | |
| | | GENERAL TOLERANCES +/- 0.2 | | TITLE: 83 SERIES PLASTIC FLANGED CASES, DARK GREY, 205.6x125.6x25 | | | |
| DRAWN | | NAME | SIGNED | DATE | MATERIAL. | | DWG NO. |
| LEWIS LETCHFORD | LL | 11/02/2014 | ABS UL94-V0 | | CUE8321DG | | A4 |
| CHK'D | - | - | - | PROJECTION. | SCALE: 1:4 | | SHEET 1 OF 1 |