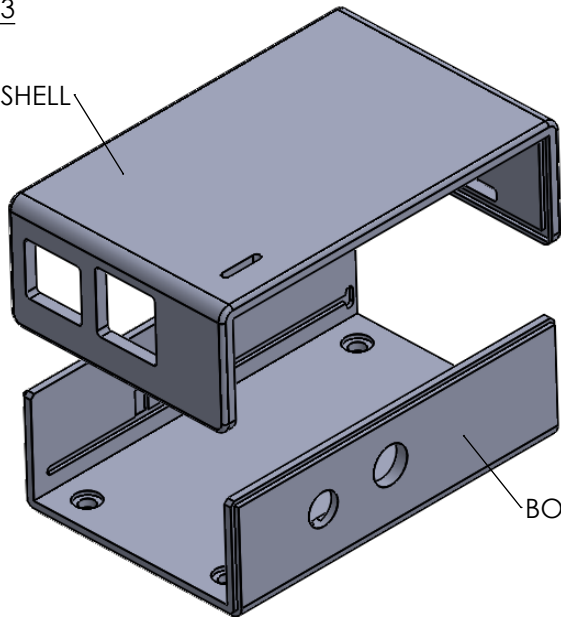
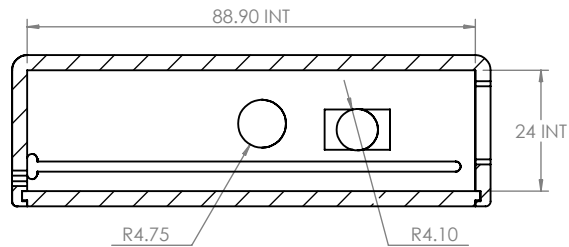


ISO VIEW
2:3

TOP U-SHELL



BOTTOM U-SHELL



<p>JAMES CARTER RD, MILDENHALL, SUFFOLK. IP28 7DE TEL: 01638 716101 FAX: 01638 716554 EMAIL: Sales@CamdenBoss.com WEB: www.CamdenBoss.com</p>		UNLESS OTHERWISE SPECIFIED: DIMENSIONS ARE IN MILLIMETERS		DO NOT SCALE DRAWING		REVISION. 0	
		GENERAL TOLERANCES +/- 0.2		TITLE: GENERAL ASSEMBLY DRAWING FOR RASPBERRY PI ENCLOSURE			
		FINISH: GLOSS		MATERIAL: 3mm THK VAR		DWG NO. CBRPI	
DRAWN: MATTHEW WALLACE		SIGNED: MJW		DATE: 02/05/13		SCALE: 2:3	
CHKD: DAN SMALLEY		DIS: DIS		DATE: 02/05/13		SHEET 1 OF 1	

A4