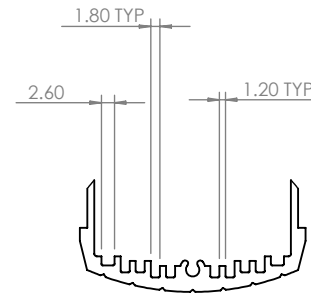
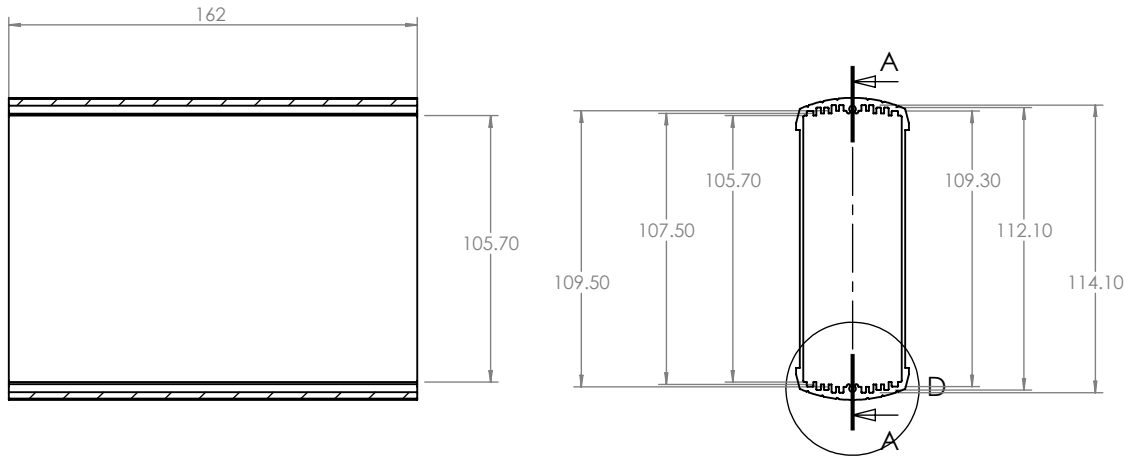
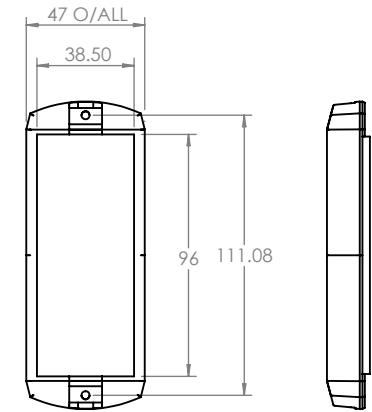


SECTION A-A



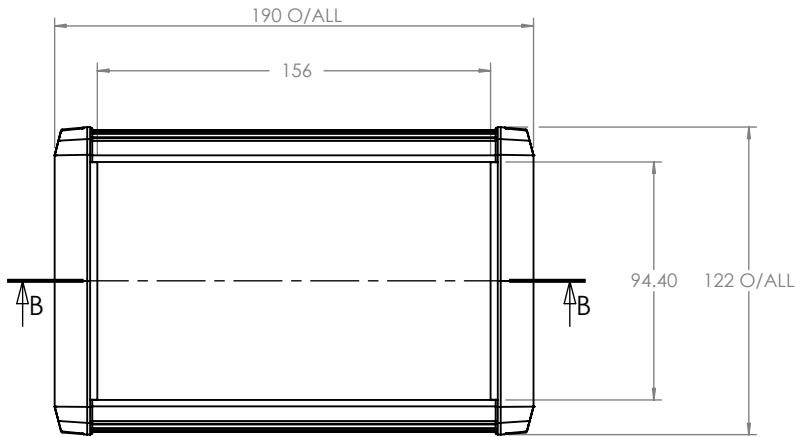
DETAIL D



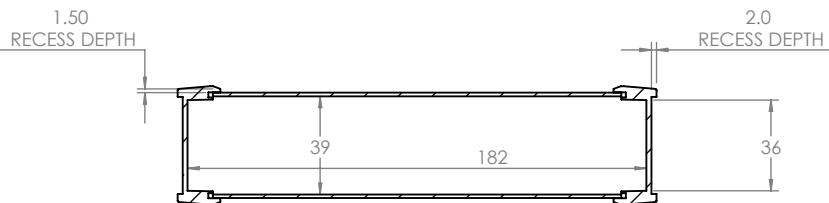
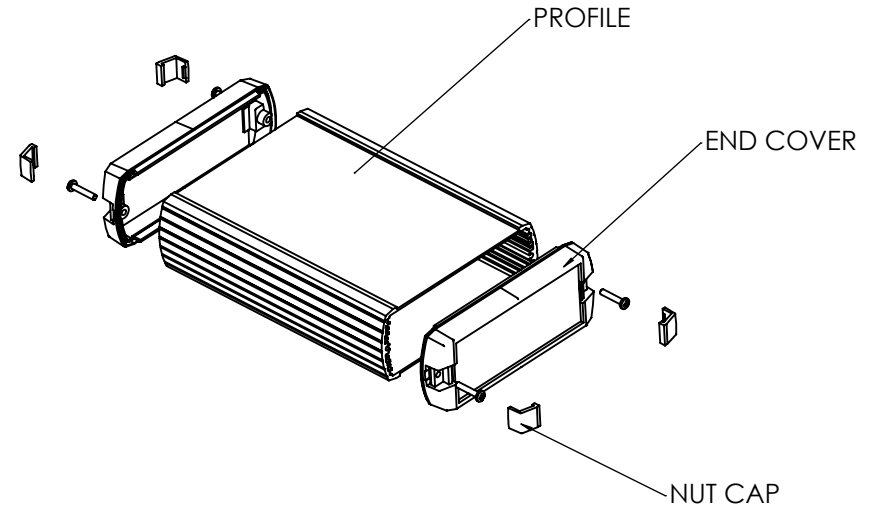
END COVER

PROFILE

ASSEMBLY



ISO VIEW
1:4



SECTION B-B

CAMDENBOSS
ELECTRONICS & ENCLOSURES

JAMES CARTER RD, MILDENHALL, SUFFOLK. IP28 7DE
TEL: 01638 716101 FAX: 01638 716554
EMAIL: Sales@CamdenBoss.com
WEB: www.CamdenBoss.com

UNLESS OTHERWISE SPECIFIED:
DIMENSIONS ARE IN MILLIMETERS

FINISH:
EPOXY PAINT

MATERIAL:
ALUMINIUM

DO NOT SCALE DRAWING

REVISION. 0

TITLE:

GNL ASSEMBLY DRG FOR
55 SERIES

DWG NO.

CEAREPB05

A4

DRAWN IAN PAGANO I.P. 06/08/13

CHKD - - -

PROJECTION.

SCALE: 1 : 2

SHEET 1 OF 1