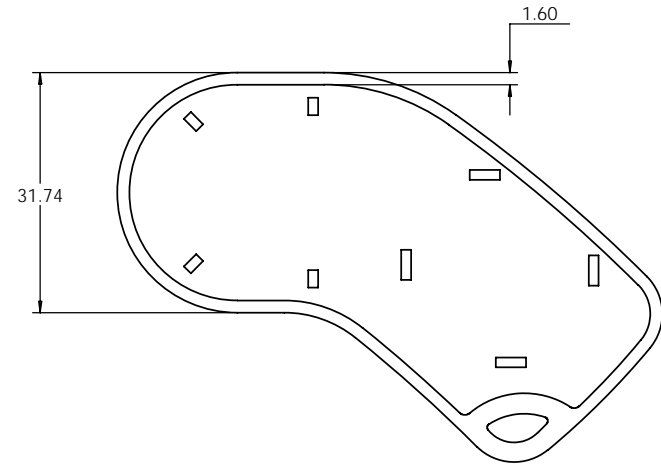
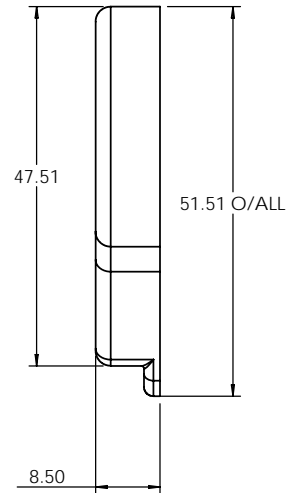
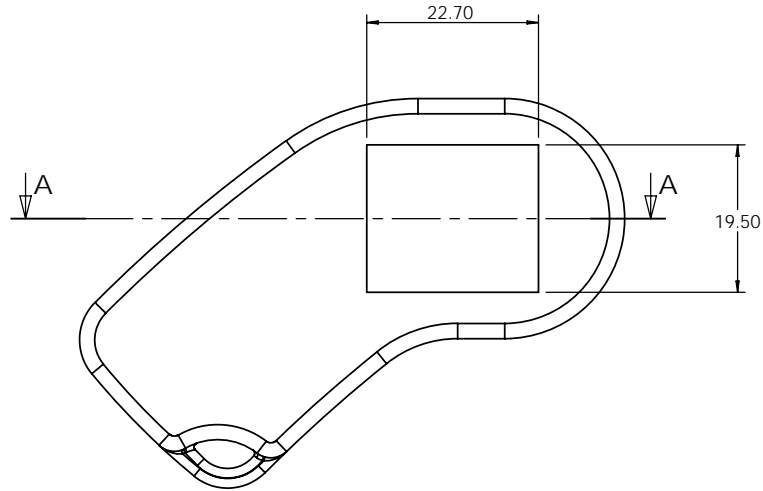
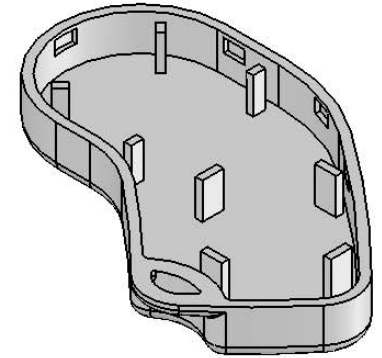
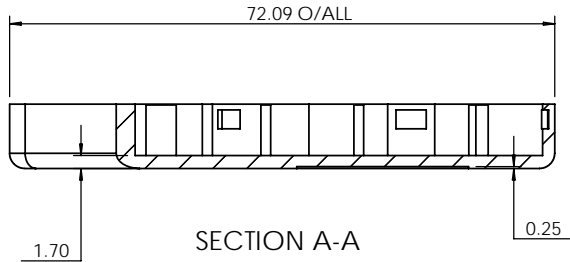

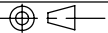
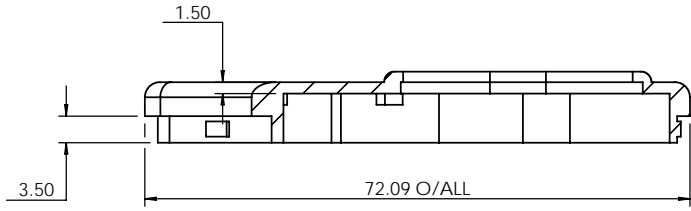


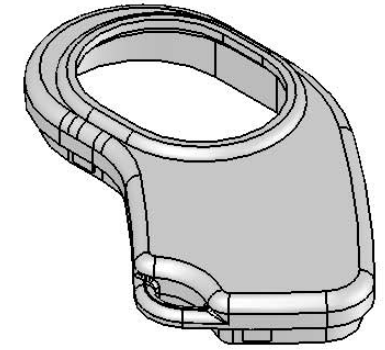
JAMES CARTER RD, MILDENHALL, SUFFOLK. IP28 7DE TEL: 01638 716101 FAX: 01638 716554 EMAIL: SALES@BOSS-ENCLOSURES.CO.UK WEB: www.BOSS-ENCLOSURES.CO.UK				UNLESS OTHERWISE SPECIFIED: DIMENSIONS ARE IN MILLIMETERS		DO NOT SCALE DRAWING		REVISION. 0					
				FINISH: <b>LIGHT SPARKED</b>		TITLE: <b>GENERAL ASSEMBLY DRG</b>							
DRAWN		NAME		SIGNED		DATE		MATERIAL.		DWG NO.		A4	
CHK'D		S.HARDINGE		SJH		19/03/07		ABS		2955-40 GNL			
				PROJECTION.						SHEET 1 OF 1			



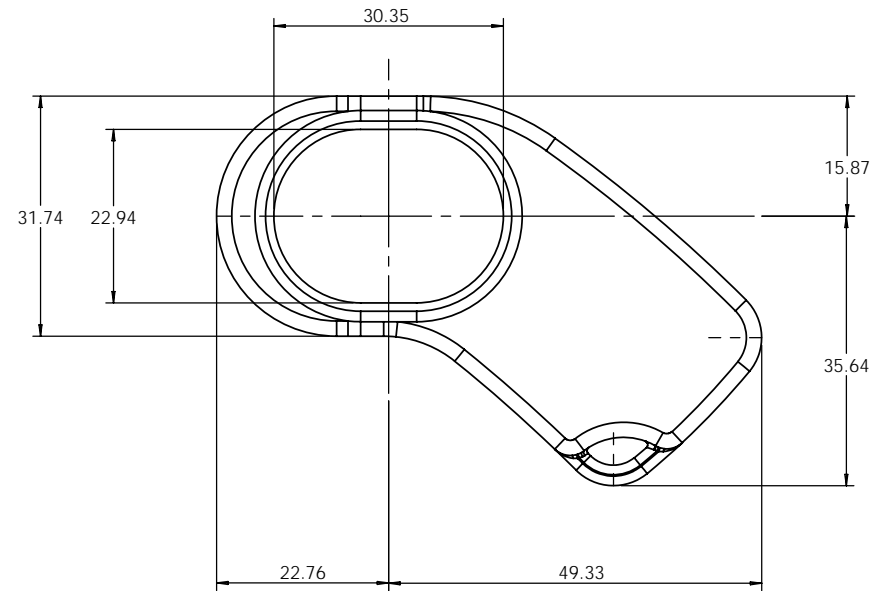
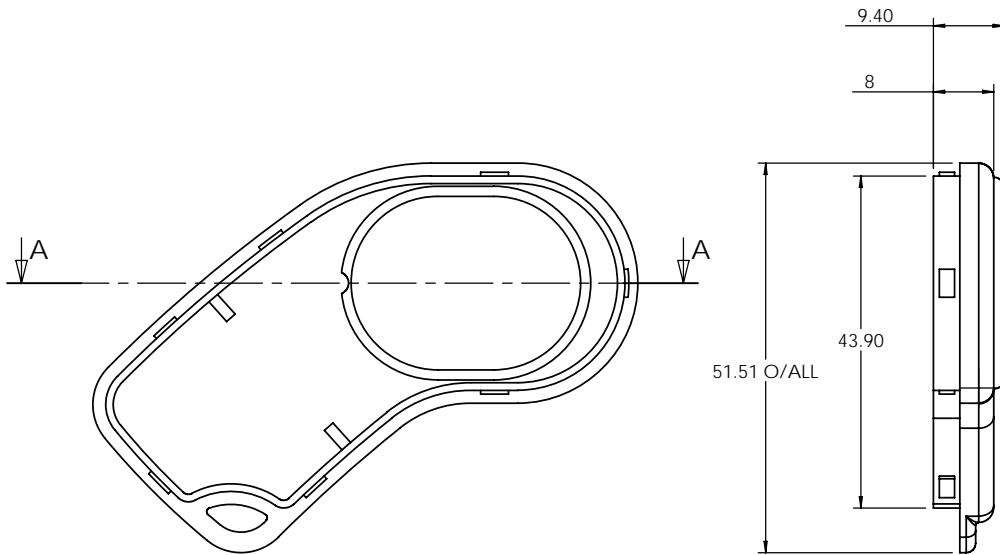
 JAMES CARTER RD, MILDENHALL, SUFFOLK. IP28 7DE TEL: 01638 716101 FAX: 01638 716554 EMAIL: SALES@BOSS-ENCLOSURES.CO.UK WEB: www.BOSS-ENCLOSURES.CO.UK				UNLESS OTHERWISE SPECIFIED: DIMENSIONS ARE IN MILLIMETERS		DO NOT SCALE DRAWING		REVISION. O	
				FINISH: LIGHT SAPRK		TITLE: PART DRG FOR 2955-40 BASE			
DRAWN S.HARDINGE		SIGNED SJH	DATE 20/03/07	MATERIAL. ABS		DWG NO. 2955-40 Base		A4	
CHK'D -		-	-	PROJECTION. 		SCALE. 1 : 1		SHEET 1 OF 1	


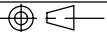


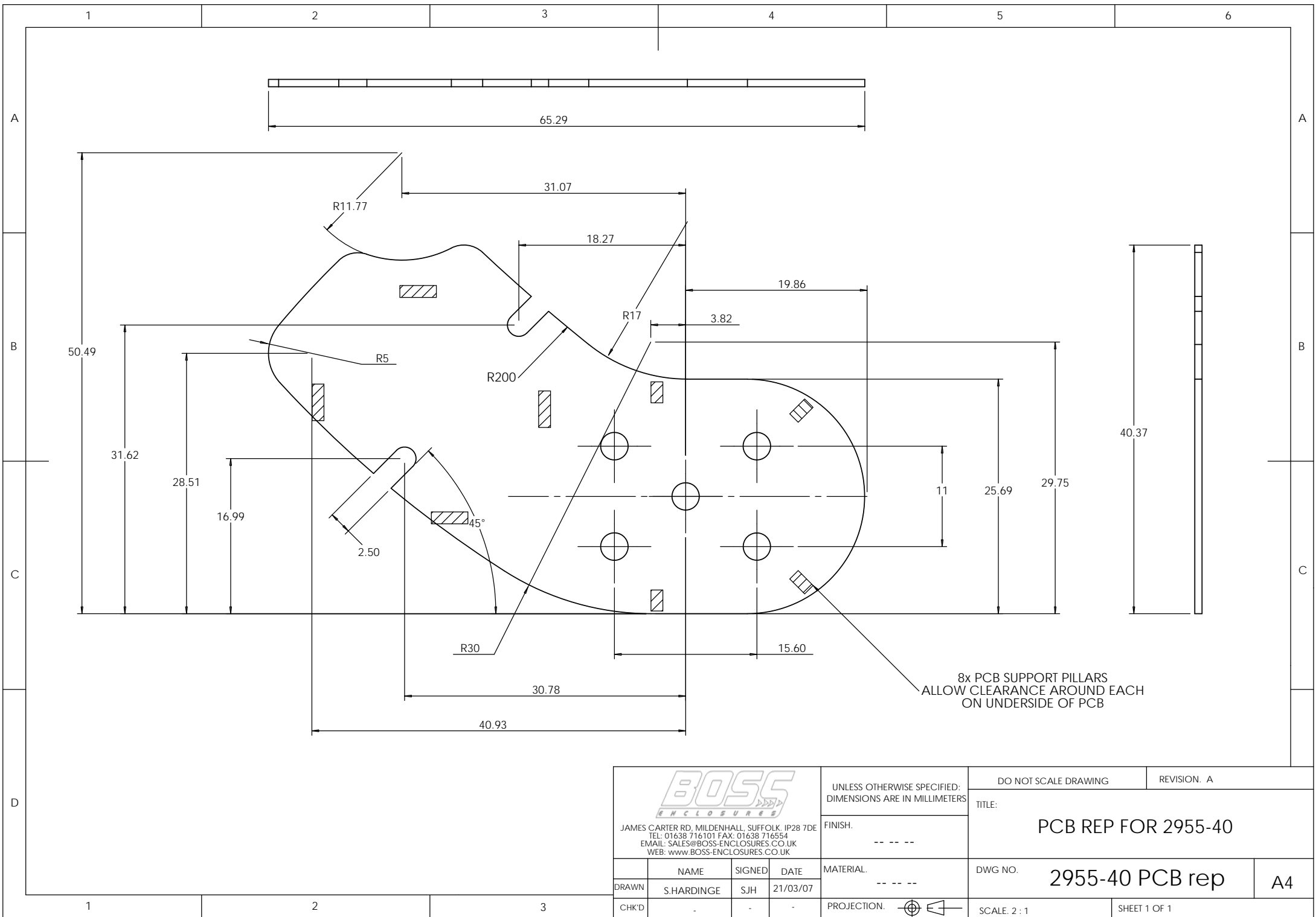
SECTION A-A


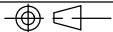


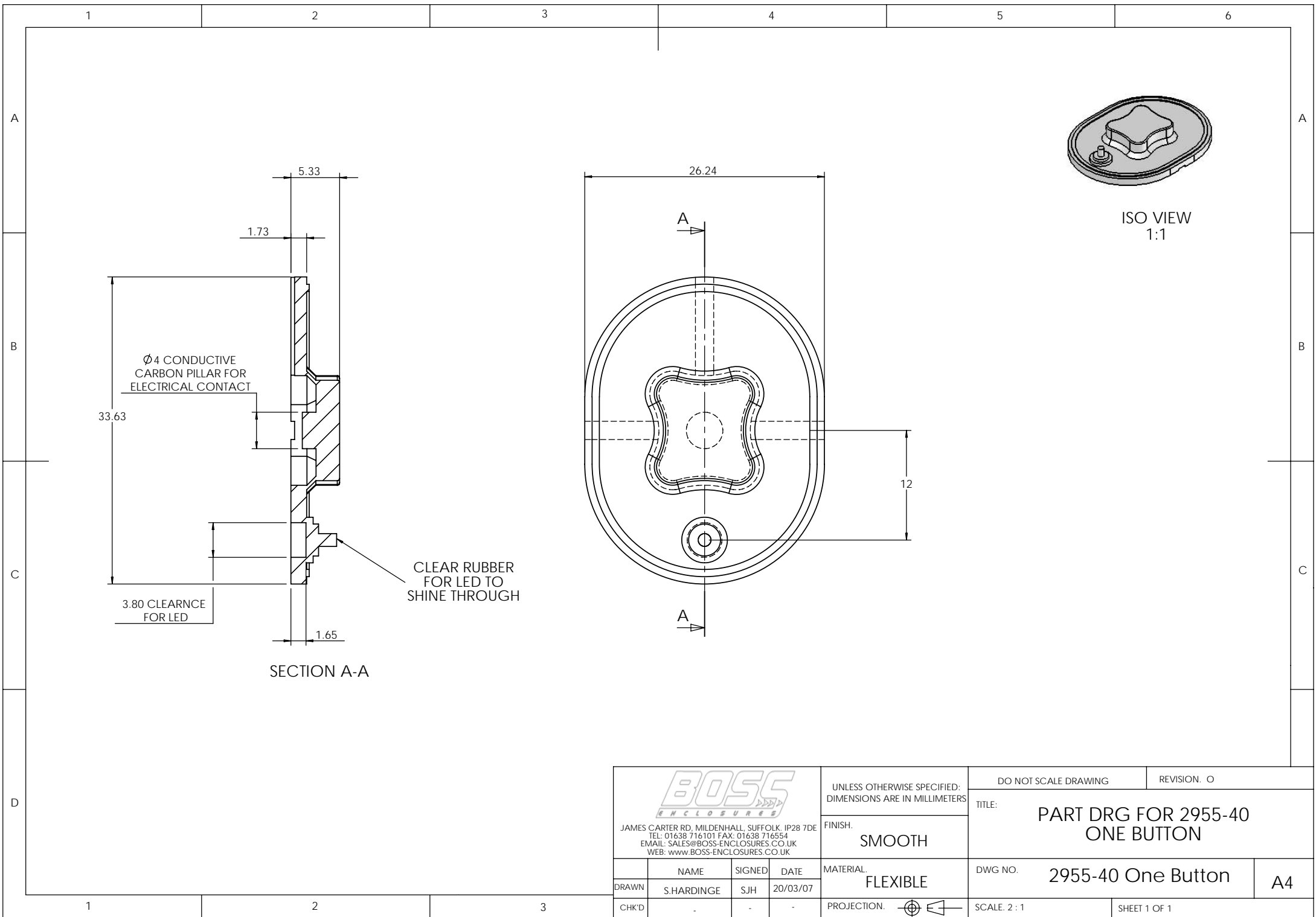
ISO VIEW


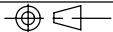


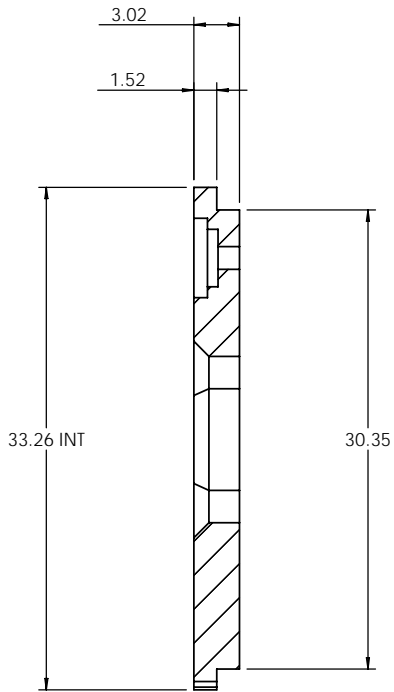
 JAMES CARTER RD, MILDENHALL, SUFFOLK. IP28 7DE TEL: 01638 716101 FAX: 01638 716554 EMAIL: SALES@BOSS-ENCLOSURES.CO.UK WEB: www.BOSS-ENCLOSURES.CO.UK				UNLESS OTHERWISE SPECIFIED: DIMENSIONS ARE IN MILLIMETERS		DO NOT SCALE DRAWING		REVISION. 0		
				FINISH: <b>LIGHT SPARK</b>		TITLE: <b>PART DRG FOR 2955-20 TOP</b>				
DRAWN S.HARDINGE		SIGNED SJH		DATE 20/03/07		MATERIAL: <b>ABS</b>		DWG NO. <b>2955-40 Top</b>		A4
CHK'D -		-		-		PROJECTION. 		SCALE: 1 : 1		SHEET 1 OF 1



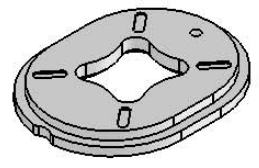
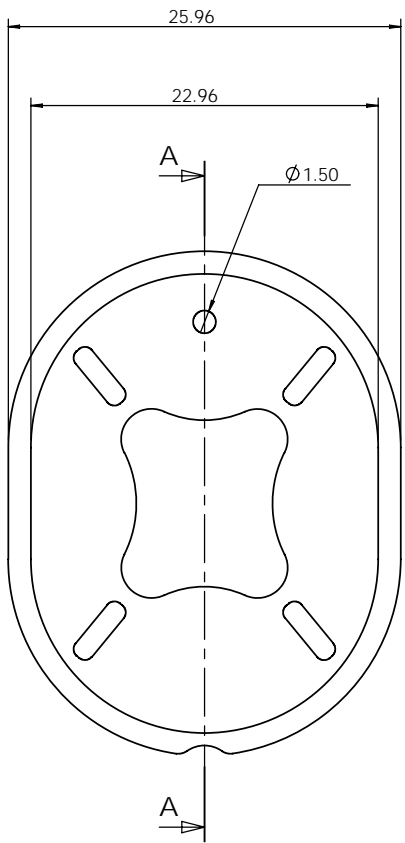
 JAMES CARTER RD, MILDENHALL, SUFFOLK. IP28 7DE TEL: 01638 716101 FAX: 01638 716554 EMAIL: SALES@BOSS-ENCLOSURES.CO.UK WEB: WWW.BOSS-ENCLOSURES.CO.UK				UNLESS OTHERWISE SPECIFIED: DIMENSIONS ARE IN MILLIMETERS		DO NOT SCALE DRAWING		REVISION. A	
				FINISH: -----		TITLE: <b>PCB REP FOR 2955-40</b>			
DRAWN S.HARDINGE		SIGNED SJH	DATE 21/03/07	MATERIAL: -----		DWG NO. <b>2955-40 PCB rep</b>		A4	
CHK'D -		-	-	PROJECTION. 		SCALE. 2 : 1		SHEET 1 OF 1	




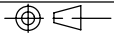
 JAMES CARTER RD, MILDENHALL, SUFFOLK. IP28 7DE TEL: 01638 716101 FAX: 01638 716554 EMAIL: SALES@BOSS-ENCLOSURES.CO.UK WEB: WWW.BOSS-ENCLOSURES.CO.UK				UNLESS OTHERWISE SPECIFIED: DIMENSIONS ARE IN MILLIMETERS		DO NOT SCALE DRAWING		REVISION. 0					
				FINISH: <b>SMOOTH</b>		TITLE: <b>PART DRG FOR 2955-40 ONE BUTTON</b>							
DRAWN		NAME		SIGNED		DATE		MATERIAL: <b>FLEXIBLE</b>		DWG NO. <b>2955-40 One Button</b>		A4	
CHK'D		-		-		-		PROJECTION. 		SCALE: 2 : 1		SHEET 1 OF 1	

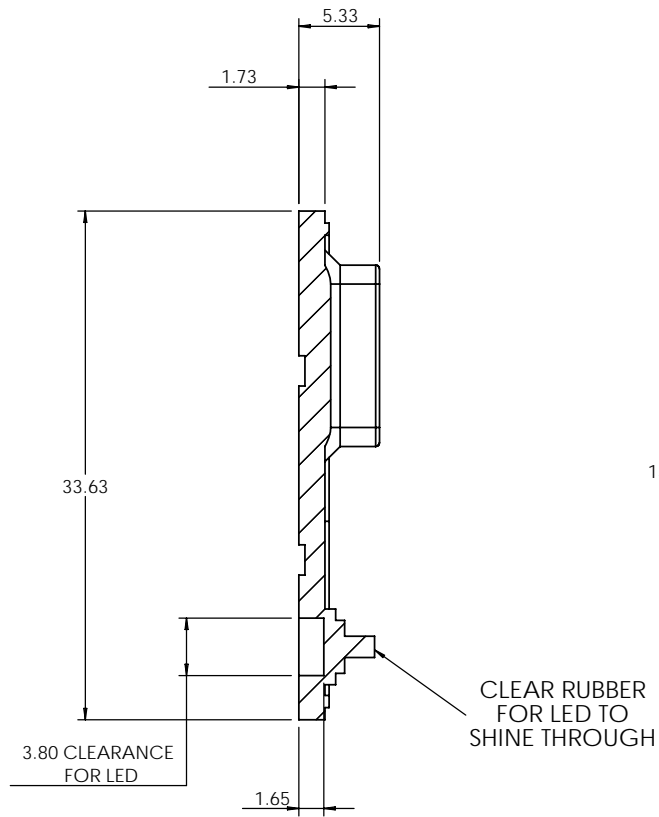


SECTION A-A

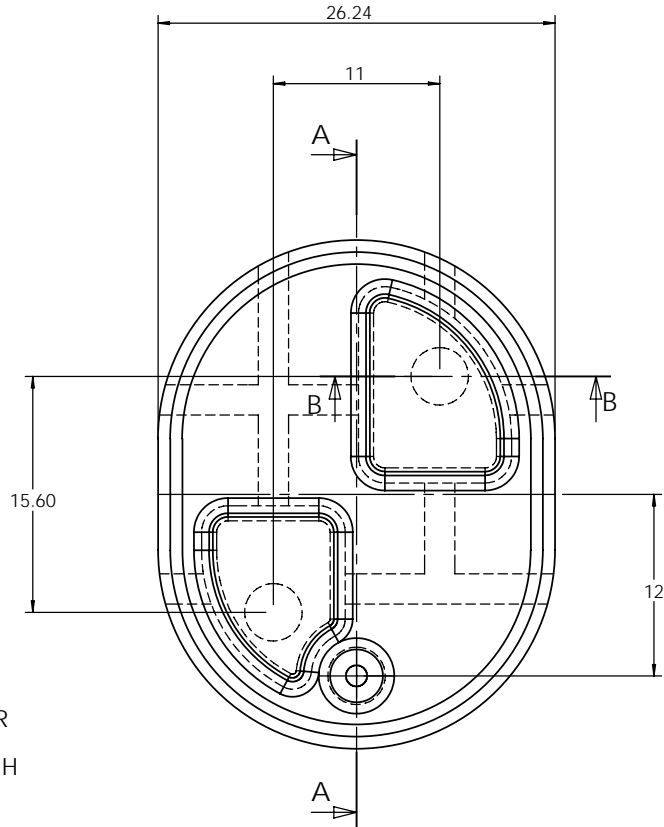


ISO VIEW  
1:1

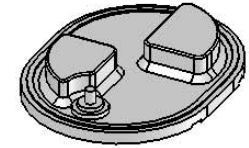
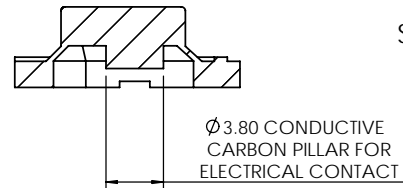
 JAMES CARTER RD, MILDENHALL, SUFFOLK. IP28 7DE TEL: 01638 716101 FAX: 01638 716554 EMAIL: SALES@BOSS-ENCLOSURES.CO.UK WEB: www.BOSS-ENCLOSURES.CO.UK				UNLESS OTHERWISE SPECIFIED: DIMENSIONS ARE IN MILLIMETERS		DO NOT SCALE DRAWING		REVISION. 0	
				FINISH: <b>SMOOTH</b>		TITLE: <b>PART DRG FOR 2955-40 ONE BUTTON ESCUTCHEON</b>			
DRAWN S.HARDINGE		SIGNED SJH	DATE 20/03/07	MATERIAL: <b>ABS</b>		DWG NO. <b>2955-40 One Escutcheon</b>		<b>A4</b>	
CHK'D -		-	-	PROJECTION: 		SCALE: 2:1		SHEET 1 OF 1	




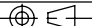
SECTION A-A



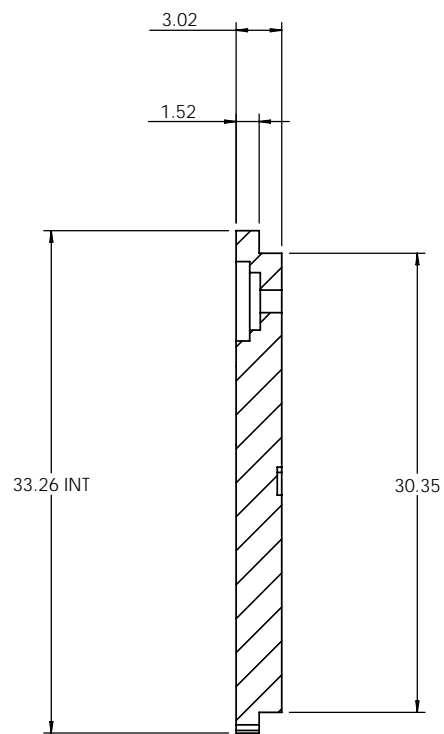
SECTION B-B



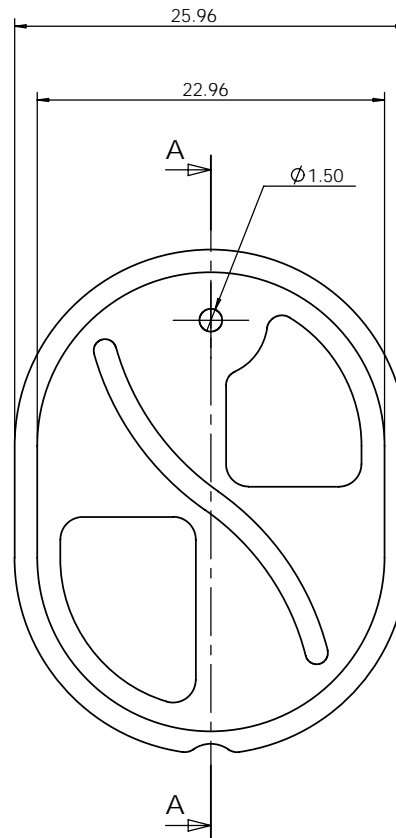
ISO VIEW  
1:1

 JAMES CARTER RD, MILDENHALL, SUFFOLK. IP28 7DE TEL: 01638 716101 FAX: 01638 716554 EMAIL: SALES@BOSS-ENCLOSURES.CO.UK WEB: www.BOSS-ENCLOSURES.CO.UK				UNLESS OTHERWISE SPECIFIED: DIMENSIONS ARE IN MILLIMETERS		DO NOT SCALE DRAWING		REVISION. 0	
				FINISH: <b>SMOOTH</b>		TITLE: <b>PART DRG FOR 2955-40 TWO BUTTON</b>			
DRAWN S.HARDINGE		SIGNED SJH		DATE 20/03/07		MATERIAL: <b>FLEXIBLE</b>		DWG NO. <b>2955-40 Two Button</b>	
CHK'D -		-		-		PROJECTION: 		SCALE: 2:1	
								SHEET 1 OF 1	


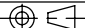
A4



SECTION A-A



ISO VIEW  
1:1

 JAMES CARTER RD, MILDENHALL, SUFFOLK. IP28 7DE TEL: 01638 716101 FAX: 01638 716554 EMAIL: SALES@BOSS-ENCLOSURES.CO.UK WEB: www.BOSS-ENCLOSURES.CO.UK				UNLESS OTHERWISE SPECIFIED: DIMENSIONS ARE IN MILLIMETERS		DO NOT SCALE DRAWING		REVISION. 0	
				FINISH: <b>SMOOTH</b>		TITLE: <b>PART DRG FOR 2955-40 TWO BUTTON ESCUTCHEON</b>			
DRAWN S.HARDINGE		SIGNED SJH	DATE 20/03/07	MATERIAL: <b>ABS</b>		DWG NO. <b>2955-40 Two Escutcheon</b>		<b>A4</b>	
CHK'D -		-	-	PROJECTION. 		SCALE. 2 : 1		SHEET 1 OF 1	



1 2 3 4 5 6

A

B

C

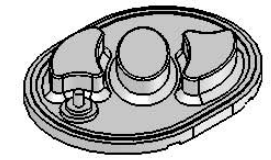
D

A

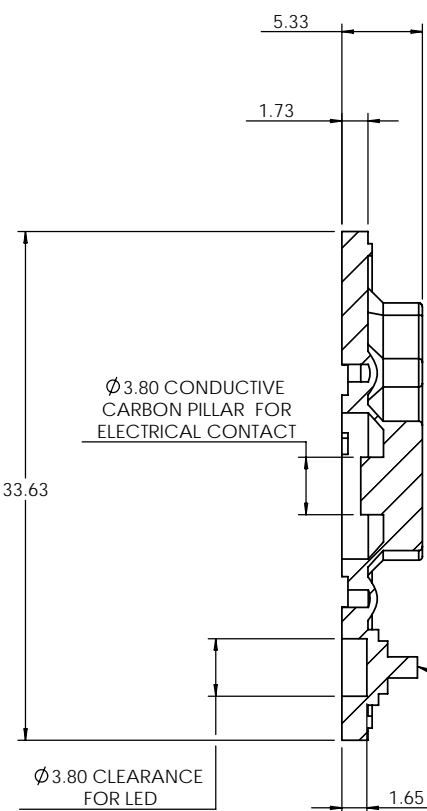
B

C

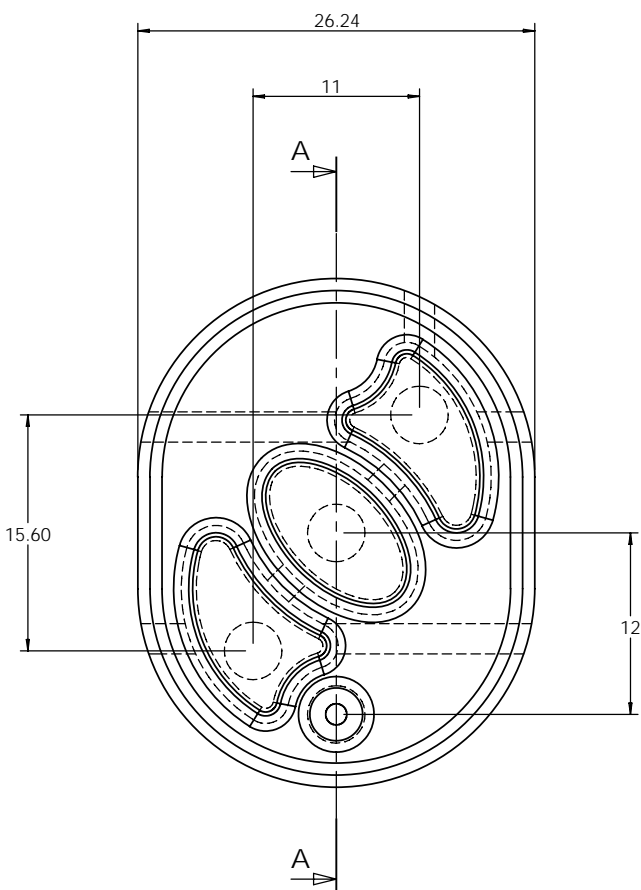
D


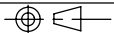


ISO VIEW  
1:1

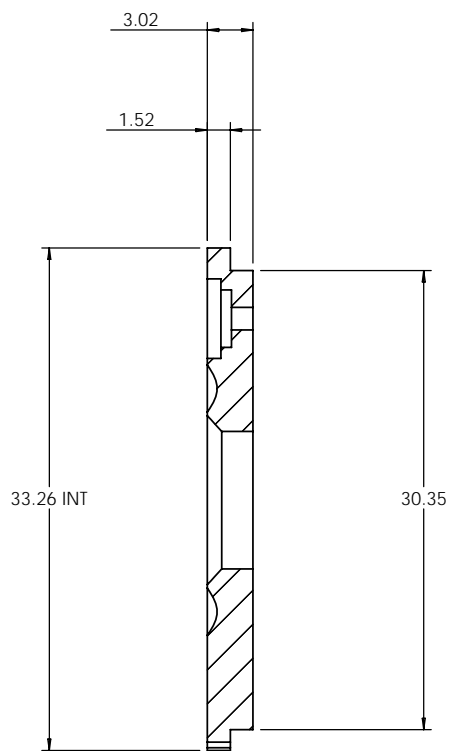


SECTION A-A

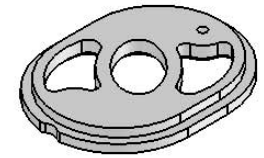
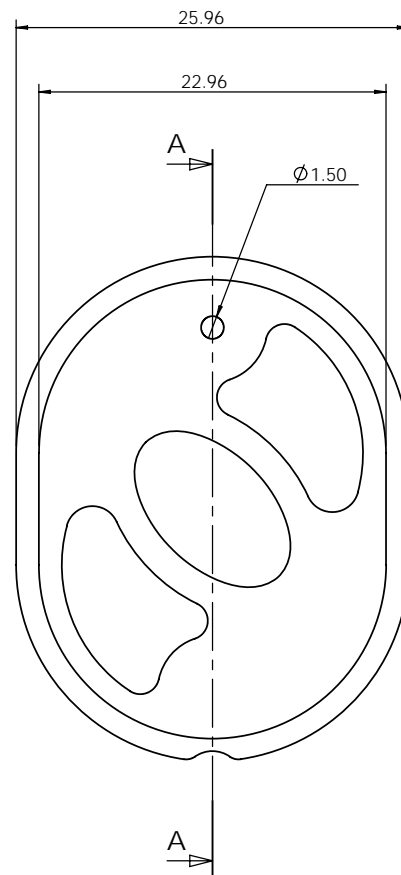


 JAMES CARTER RD, MILDENHALL, SUFFOLK. IP28 7DE TEL: 01638 716101 FAX: 01638 716554 EMAIL: SALES@BOSS-ENCLOSURES.CO.UK WEB: www.BOSS-ENCLOSURES.CO.UK				UNLESS OTHERWISE SPECIFIED: DIMENSIONS ARE IN MILLIMETERS		DO NOT SCALE DRAWING		REVISION. O					
				FINISH: <b>SMOOTH</b>		TITLE: <b>PART DRG FOR 2955-40 THREE BUTTON</b>							
DRAWN		NAME		SIGNED		DATE		MATERIAL: <b>FLEXIBLE</b>		DWG NO. <b>2955-40 Three Button</b>		A4	
CHK'D		-		-		-		PROJECTION. 		SCALE: 2:1		SHEET 1 OF 1	


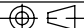
1 2 3

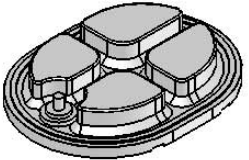
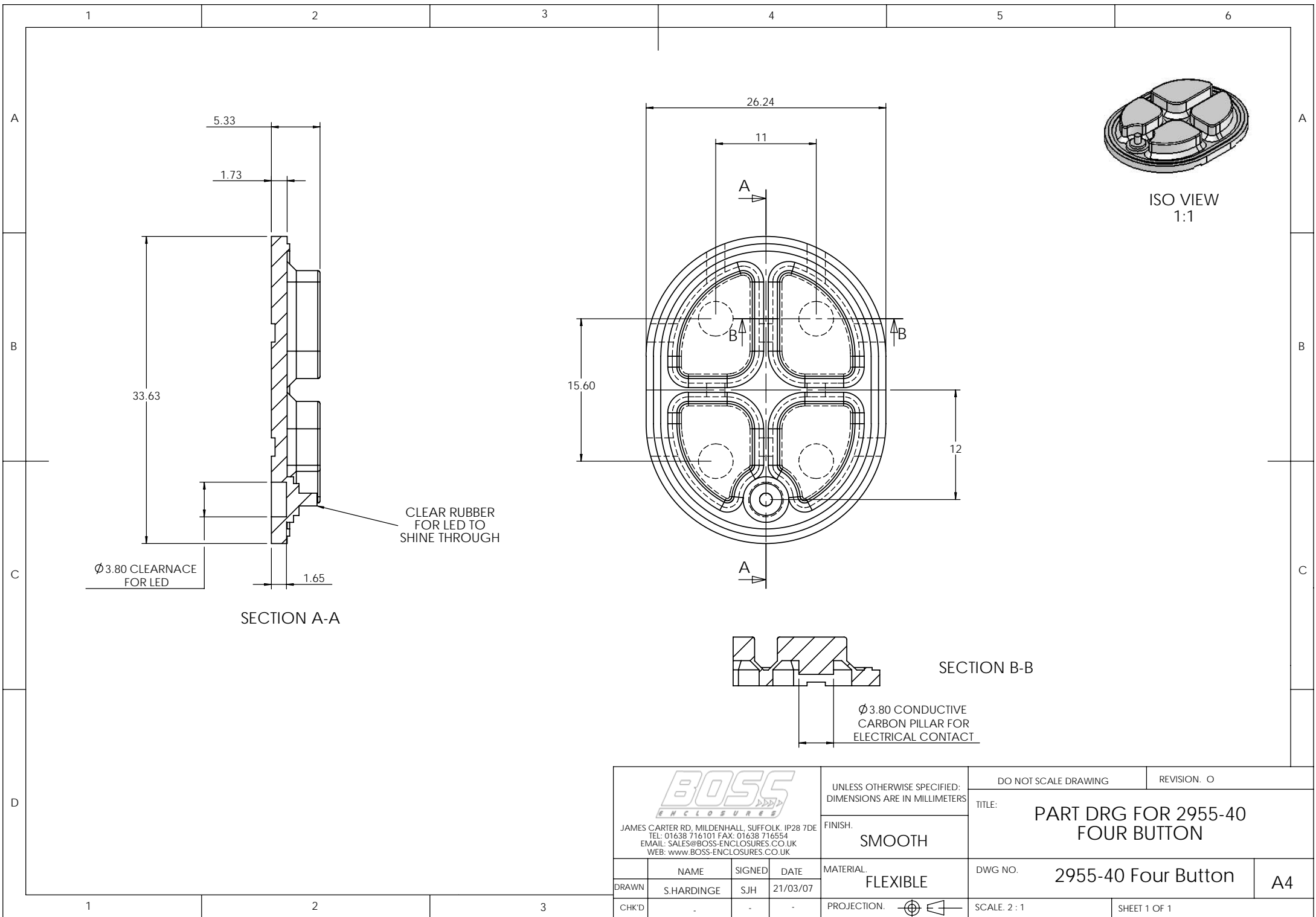


SECTION A-A



ISO VIEW  
1:1


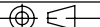
 JAMES CARTER RD, MILDENHALL, SUFFOLK. IP28 7DE TEL: 01638 716101 FAX: 01638 716554 EMAIL: SALES@BOSS-ENCLOSURES.CO.UK WEB: www.BOSS-ENCLOSURES.CO.UK				UNLESS OTHERWISE SPECIFIED: DIMENSIONS ARE IN MILLIMETERS		DO NOT SCALE DRAWING		REVISION. 0	
				FINISH: <b>SMOOTH</b>		TITLE: <b>PART DRG FOR 2955-40 THREE BUTTON ESCUTCHEON</b>			
DRAWN S.HARDINGE		SIGNED SJH	DATE 21/03/07	MATERIAL: <b>ABS</b>		DWG NO. <b>2955-40 Three Escutcheon</b>		A4	
CHK'D -		-	-	PROJECTION. 		SCALE: 2:1		SHEET 1 OF 1	

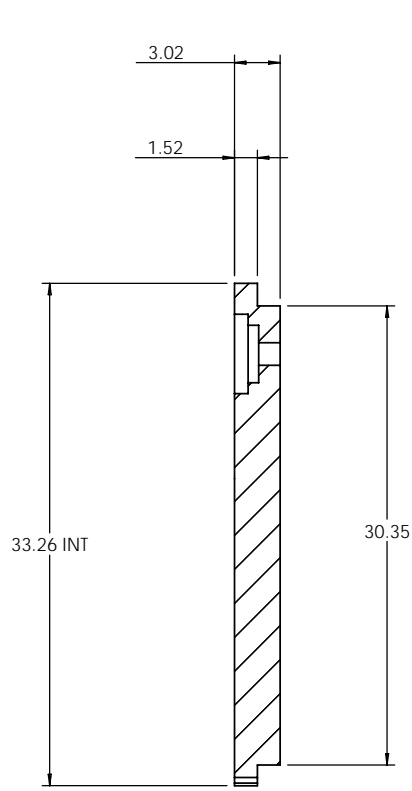


ISO VIEW  
1:1

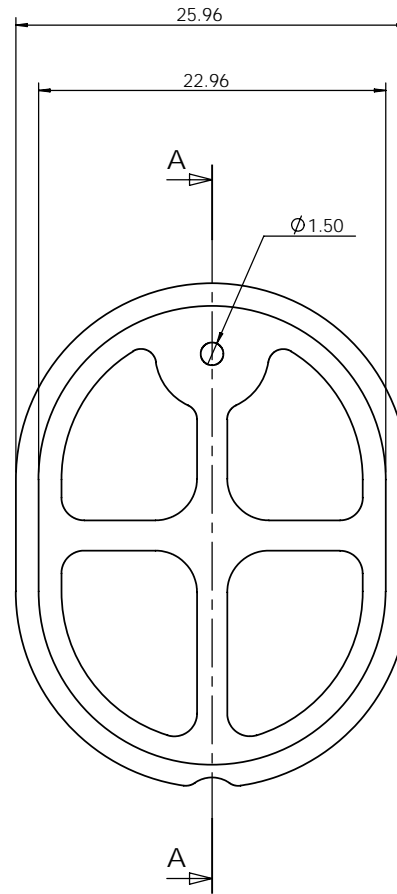
SECTION A-A

SECTION B-B


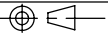
 JAMES CARTER RD, MILDENHALL, SUFFOLK. IP28 7DE TEL: 01638 716101 FAX: 01638 716554 EMAIL: SALES@BOSS-ENCLOSURES.CO.UK WEB: www.BOSS-ENCLOSURES.CO.UK				UNLESS OTHERWISE SPECIFIED: DIMENSIONS ARE IN MILLIMETERS		DO NOT SCALE DRAWING		REVISION. 0		
				FINISH: <b>SMOOTH</b>		TITLE: <b>PART DRG FOR 2955-40 FOUR BUTTON</b>				
DRAWN S.HARDINGE		SIGNED SJH		DATE 21/03/07		MATERIAL: <b>FLEXIBLE</b>		DWG NO. <b>2955-40 Four Button</b>		A4
CHK'D -		-		-		PROJECTION. 		SCALE. 2 : 1		SHEET 1 OF 1

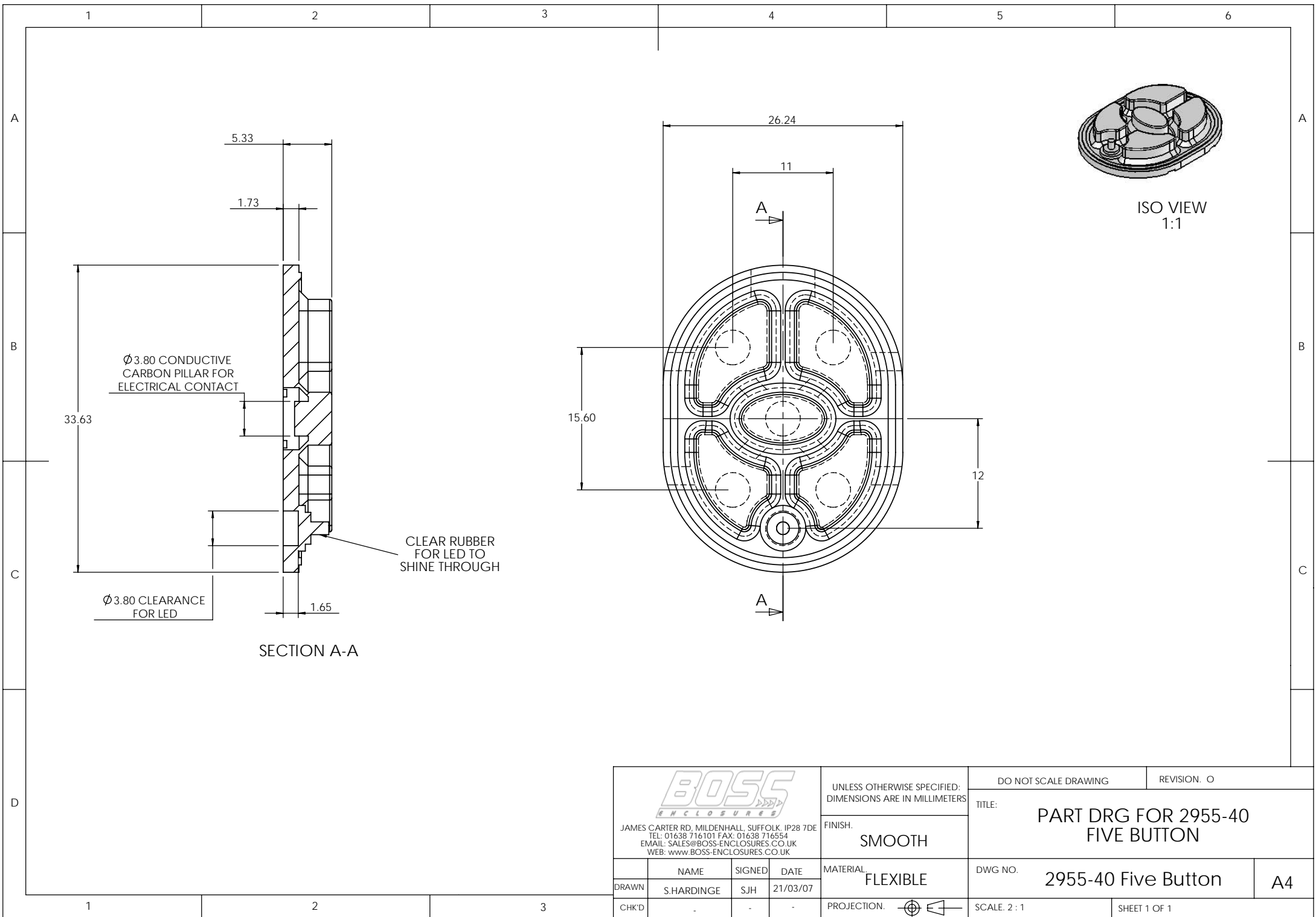


SECTION A-A




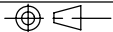
ISO VIEW  
1:1

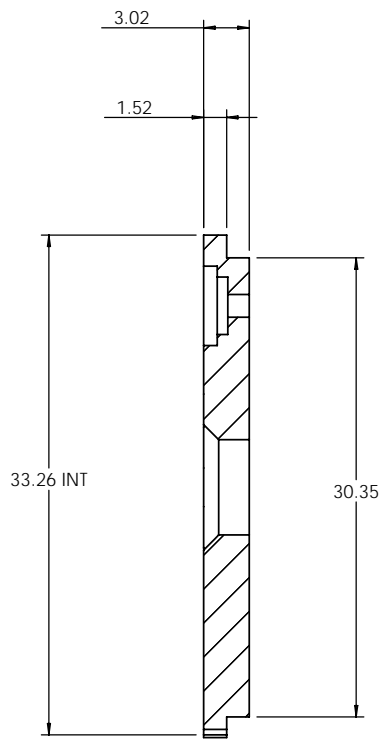
 JAMES CARTER RD, MILDENHALL, SUFFOLK. IP28 7DE TEL: 01638 716101 FAX: 01638 716554 EMAIL: SALES@BOSS-ENCLOSURES.CO.UK WEB: www.BOSS-ENCLOSURES.CO.UK				UNLESS OTHERWISE SPECIFIED: DIMENSIONS ARE IN MILLIMETERS		DO NOT SCALE DRAWING	REVISION. 0
				FINISH: <b>SMOOTH</b>		TITLE: <b>PART DRG FOR 2955-40 FOUT BUTTON ESCUTCHEON</b>	
DRAWN	NAME S.HARDINGE	SIGNED SJH	DATE 22/03/07	MATERIAL: <b>ABS</b>	DWG NO. <b>2955-40 Four Escutcheon</b>	A4	
CHK'D	-	-	-	PROJECTION. 	SCALE: 2:1	SHEET 1 OF 1	



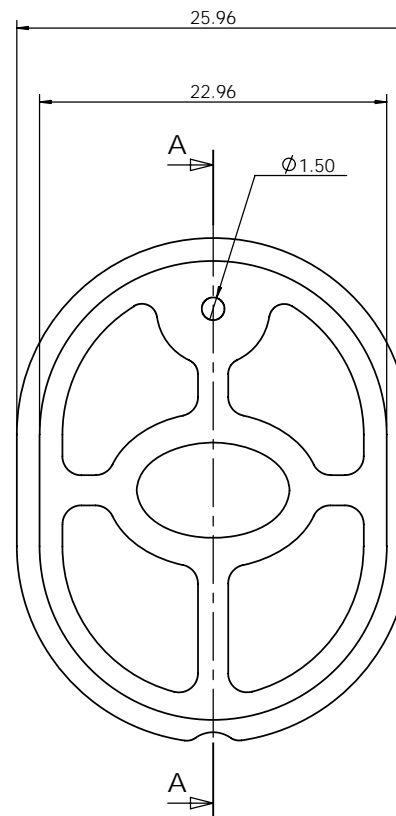
SECTION A-A

ISO VIEW  
1:1


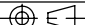
 JAMES CARTER RD, MILDENHALL, SUFFOLK. IP28 7DE TEL: 01638 716101 FAX: 01638 716554 EMAIL: SALES@BOSS-ENCLOSURES.CO.UK WEB: www.BOSS-ENCLOSURES.CO.UK				UNLESS OTHERWISE SPECIFIED: DIMENSIONS ARE IN MILLIMETERS		DO NOT SCALE DRAWING		REVISION. O	
				FINISH: <b>SMOOTH</b>		TITLE: <b>PART DRG FOR 2955-40 FIVE BUTTON</b>			
DRAWN S.HARDINGE		SIGNED SJH	DATE 21/03/07	MATERIAL: <b>FLEXIBLE</b>		DWG NO. <b>2955-40 Five Button</b>		A4	
CHK'D -		-	-	PROJECTION. 		SCALE: 2:1		SHEET 1 OF 1	



SECTION A-A



ISO VIEW

 JAMES CARTER RD, MILDENHALL, SUFFOLK. IP28 7DE TEL: 01638 716101 FAX: 01638 716554 EMAIL: SALES@BOSS-ENCLOSURES.CO.UK WEB: www.BOSS-ENCLOSURES.CO.UK				UNLESS OTHERWISE SPECIFIED: DIMENSIONS ARE IN MILLIMETERS		DO NOT SCALE DRAWING		REVISION. 0	
				FINISH: <b>SMOOTH</b>		TITLE: <b>PART DRG FOR 2955-40 FIVE BUTTON ESCUTCHEON</b>			
DRAWN S.HARDINGE		SIGNED SJH	DATE 22/03/07	MATERIAL: <b>ABS</b>		DWG NO. <b>2955-40 Five Escutcheon</b>		<b>A4</b>	
CHK'D -		-	-	PROJECTION. 		SCALE: 2 : 1		SHEET 1 OF 1	