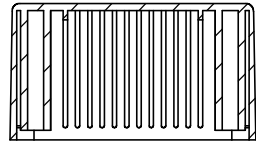


OVERALL ASSEMBLY DIMENSIONS:

EXTERNAL - 120 x 65 x 40

INTERNAL - 116.4 x 61.4 x 36.2



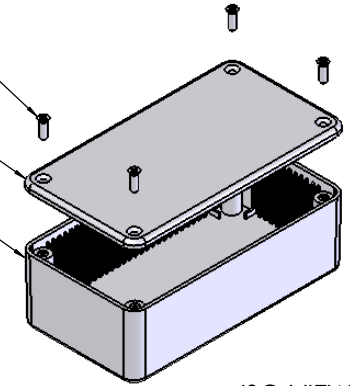
SECTION A-A



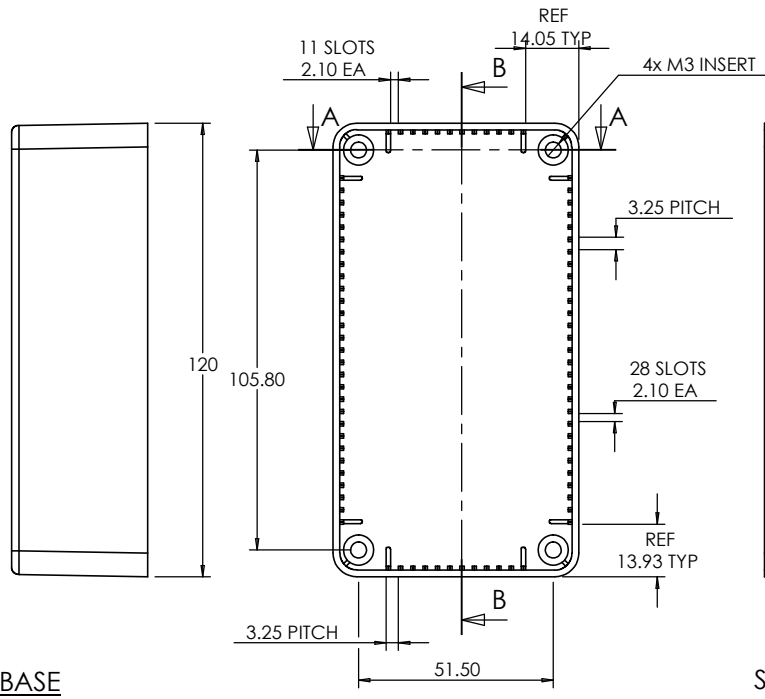
M3 CSK SCREW

LID

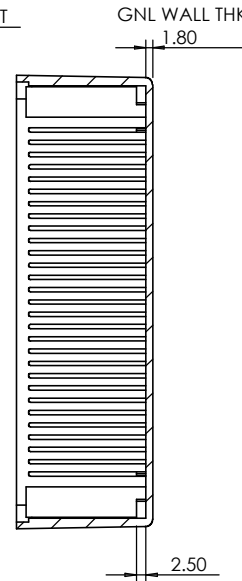
BASE



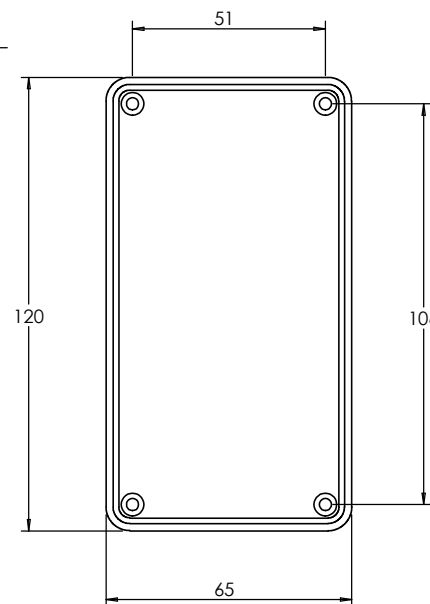
ISO VIEW
1:3



BASE



SECTION B-B



LID

<p>JAMES CARTER RD, MILDENHALL, SUFFOLK. IP28 7DE TEL: 01638 716101 FAX: 01638 716554 EMAIL: Sales@CamdenBoss.com WEB: www.CamdenBoss.com</p>		UNLESS OTHERWISE SPECIFIED: DIMENSIONS ARE IN MILLIMETERS		DO NOT SCALE DRAWING	REVISION. 0
		FINISH. SMOOTH		TITLE: ASSEMBLY DRG FOR 2004/14	
DRAWN	S.HARDINGE	SIGNED	SJH	DATE	06/10/05
CHKD	-	-	-	MATERIAL.	ABS
PROJECTION.				DWG NO.	2004,14
				SCALE: 1:2	SHEET 1 OF 1
				A4	