

OVERALL ASSEMBLY DIMENSIONS:

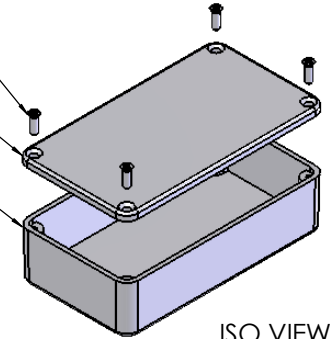
EXTERNAL - 112 x 62 x 31

INTERNAL - 107.4 x 57.4 x 27

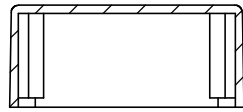
CSK SELF TAPPING SCREWS

LID

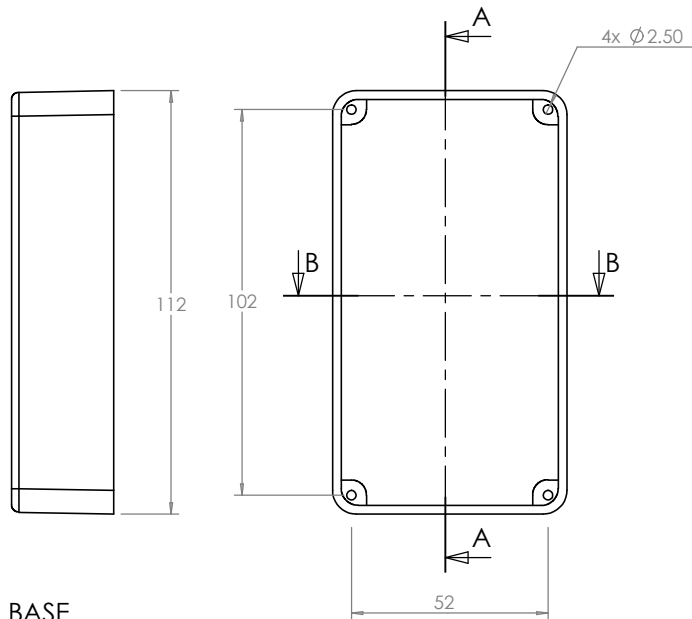
BASE



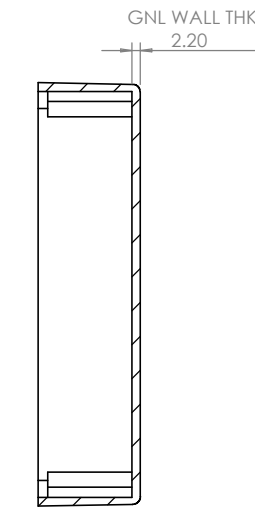
ISO VIEW
1:3



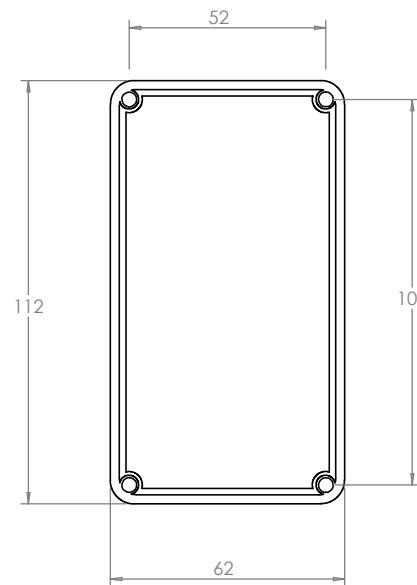
SECTION B-B



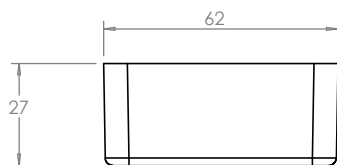
BASE



SECTION A-A



LID



JAMES CARTER RD, MILDENHALL, SUFFOLK. IP28 7DE
TEL: 01638 716101 FAX: 01638 716554
EMAIL: Sales@CamdenBoss.com
WEB: www.CamdenBoss.com

UNLESS OTHERWISE SPECIFIED:
DIMENSIONS ARE IN MILLIMETERS

DO NOT SCALE DRAWING

REVISION. 0

FINISH.
MATT

TITLE:
ASSEMBLY DRG FOR 2007/17

| | | | |
|-------|------------|--------|----------|
| | NAME | SIGNED | DATE |
| DRAWN | S.HARDINGE | SJH | 06/10/05 |

MATERIAL.
ABS

DWG NO. 2007,17

A4

CHK'D - - - PROJECTION.

SCALE. 1 : 2

SHEET 1 OF 1